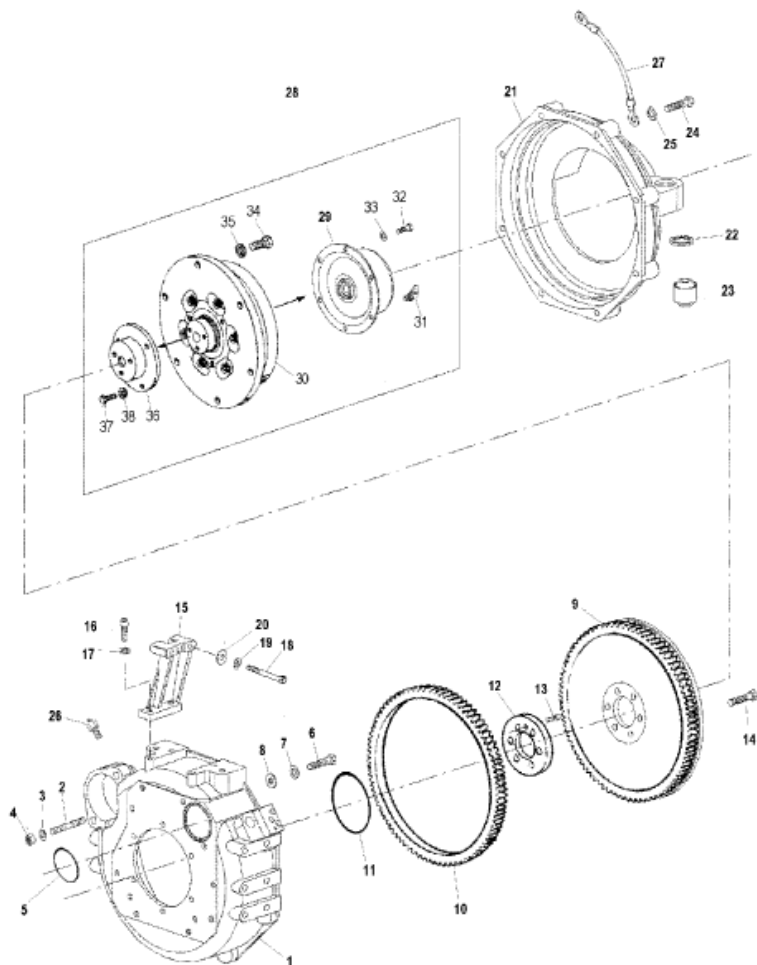


Parts List



15837

| Ref | Class | Part | Description | Qty | Comment | Footnote |
|-----|-------|-----------|--------------------------------|-----|---------|----------|
| 1 | | 801331695 | FLYWHEEL HOUSING | 1 | | |
| 2 | 16 | 809908402 | STUD | 2 | | |
| 3 | 13 | 811408 | LOCKWASHER | 2 | | |
| 4 | 11 | 811458 | NUT | 2 | | |
| 5 | 25 | 801331619 | O-RING | 1 | | 3 |
| 6 | 10 | 854106 | SCREW, (M10 x 25) | 9 | | |
| 7 | 13 | 809932112 | LOCKWASHER | 9 | | |
| 8 | 12 | 811459 | WASHER | 9 | | |
| 9 | 265 | 811453 | FLYWHEEL | 1 | | |
| 10 | 43 | 801331701 | RING GEAR | 1 | | |
| 11 | 25 | 884028 | O-RING | 1 | | 3 |
| 12 | | 889030 | SPACER, Flywheel | 1 | | |
| 13 | 10 | 801331698 | SCREW, (M4 x 10) | 1 | | |
| 14 | 10 | 879711 | BOLT | 6 | | |
| 15 | | 854108 | BRACKET | 1 | | |
| 16 | 10 | 811457 | SCREW, (M10 x 35) | 2 | | |
| 17 | 13 | 809932110 | LOCKWASHER | 2 | | |
| 18 | 10 | 811456 | SCREW | 2 | | |
| 19 | 13 | 811460 | LOCKWASHER | 2 | | |
| 20 | 12 | 811455 | WASHER | 2 | | |
| 21 | | 18718A 7 | HOUSING ASSEMBLY | 1 | | |
| 22 | 23 | 99322 | SPACER | 2 | | |
| 23 | | 865330A02 | MOUNT KIT, (Rubber) | 2 | | |
| 24 | 10 | 40001206 | SCREW, (M10 x 50) | 7 | | |
| 25 | 13 | 809931076 | LOCKWASHER | 7 | | |
| 26 | 87 | 806553 | SENDER, Tachometer | 1 | | |
| 27 | 84 | 62826A 6 | CABLE ASSEMBLY, (13.00 Inches) | 1 | | |
| 28 | | 18311A10 | COUPLING ASSEMBLY | 1 | | |
| 29 | | 805684A 2 | COUPLING | 1 | | |
| 30 | | 805735T 6 | COUPLING ASSEMBLY | 1 | | |
| 31 | 22 | 49099 | FITTING | 2 | | |
| 32 | 10 | 40001189 | SCREW, (M10 x 20) | 6 | | |
| 33 | 13 | 40024 8 | LOCKWASHER, (M10) | 6 | | |
| 34 | 10 | 854155 | SCREW, (M10 x 30) | 6 | | |
| 35 | 13 | 40024 8 | LOCKWASHER, (M10) | 6 | | |
| 36 | | 805731 | COUPLER | 1 | | |
| 37 | 10 | 40001 75 | SCREW, (M6 x 20) | 6 | | |
| 38 | 13 | 26992 | LOCKWASHER, (.250) | 6 | | |
| . | 27 | 881742 | OVERHAUL GASKET SET | 1 | | |